

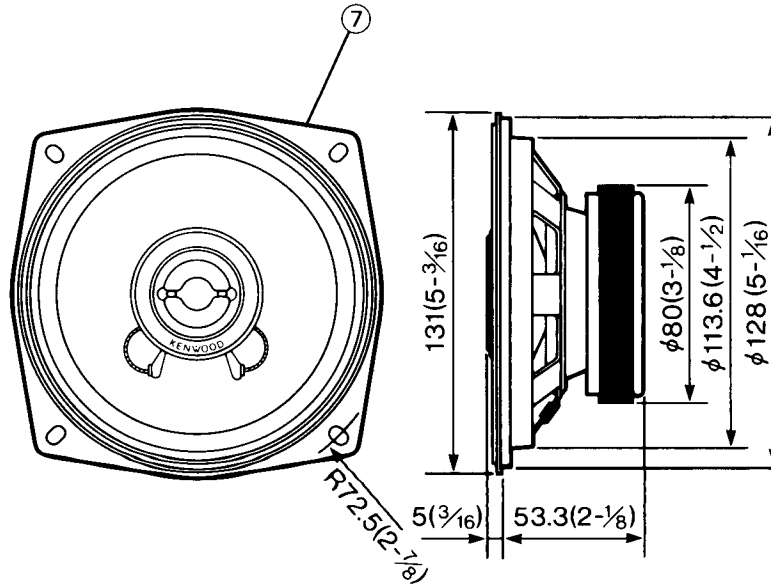
# KFC-HQ13IC

## SERVICE MANUAL

KENWOOD  
**Q.C.**  
**COPY**

© 1991-10 PRINTED IN JAPAN  
 1351-6402-00 (B) 1513

### EXTERNAL VIEW



Unit: mm (inch)

### PARTS INCLUDED

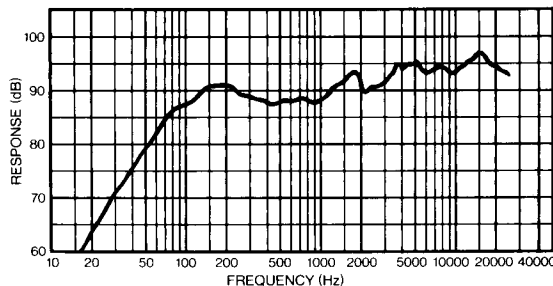
- ①  $\phi 4 \times 20 (\phi 3/16 \times 13/16)$  ..... X 8
- ② ..... X 8
- ③ M4(M $3/16$ ) ..... X 8
- ④ M4(M $3/16$ ) ..... X 8
- ⑤ M4(M $3/16$ ) ..... X 8
- ⑥ 4.5 m (15 ft) ..... X 2  
(OFC)

### PARTS LIST

★ New parts  
 Parts without **Parts No.** are not supplied.  
 Les articles non mentionnés dans le **Parts No.** ne sont pas fournis.  
 Teile ohne **Parts No.** werden nicht geliefert.

Ref. No.	New Parts	Parts No.	Description
⑥		E30-5110-08	CORD SET
① ② ③ ④ ⑤	★	N99-1218-08	SCREW SET
⑦	★	T15-0211-08	SPEAKER

### FREQUENCY RESPONSE



### SPECIFICATIONS

- Speakers
- Woofer ..... 130 mm (5-1/8) P.P Cone Type  
290g (10 oz) Magnet
  - Tweeter ..... 25 mm (1 in) P.I-Film Balanced  
Dome Type
  - Peak Power ..... 60 Watts
  - Frequency Response ..... 38 Hz ~ 30,000 Hz
  - Sensitivity ..... 89 dB/W at 1m
  - Impedance ..... 4 Ohms
  - Weight Per Speaker ..... 1,440g (3.2 lb)/Pair